



Donaghys Square ProLiner — Dual 22

Donaghys Square ProLiner — Dual 22 is a 22mm teat end, square barrel dairy rubber milking liner, designed as a dual fit to suit both short and long standard shells and both 10mm and 12mm claws.

Donaghys ProLiners are produced in Europe by one of the world's leading dairy rubberware manufacturers, who have been in business for over 30 years and now supply to over 50 countries.

Donaghys ProLiners are manufactured to meet the requirements of relevant European (BFR) and USA (FDA) standards – they have also been tested in New Zealand and have passed AsureQuality's assessment for contact with dairy farm milk.



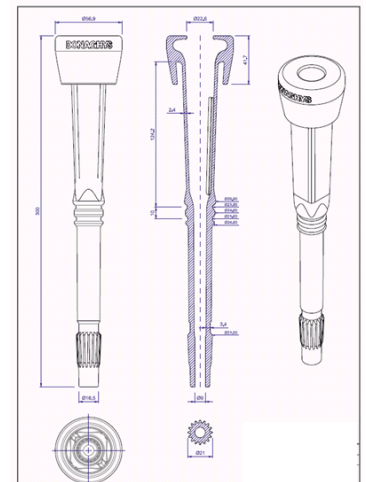
MANUFACTURED FROM NATURAL RUBBER

Natural rubber is obtained from the sap of the Hevea Brasiliensis tree.

Throughout the process of sap extraction, quality, purity and elasticity of the product are determined, meaning Donaghys ProLiners have strong mechanical strength, and are smooth, non-cracked, ozone and lactic acid resistant.

BENEFITS:

- 22mm diameter teat end.
- 9mm internal diameter tail end to suit both 10mm and 12mm claws
- Superior design with reinforced “shut-off” and “bumper” areas
- 2 tension rings to suit both short and long standard shells
- 3,000 milkings lifespan
- Square liners have additionally been observed to:
 - heighten air-flow around cows' teats, improving udder health, and
 - reduce cup slippage, with an associated increase in milk production



INSTALLATION GUIDELINES

- Prior to installation, please ensure stainless fittings are free from damaged or sharp edges.
- Check inflation interior upon removal from bag to ensure milk passageway is clear.
- Push liner into shell, tail first.
- Adjust lip of liner head over the shell and pull the tail until secure and locks in to the relevant tension ring to suit short or long shell size.
- Check alignment frequently.
- Guide line marks are provided on head and tube to prevent liner twisting during installation.

CLEANING PROCEDURE

- Flush with cold water after each use. Daily wash out with hot water using acid or alkaline detergents. Use only approved cleaning materials and procedures.
- Cleaning and sanitizing solutions mixed to excessive strength or left in prolonged contact with the liners will deteriorate the rubber. A routine daily inspection should be made to ensure that all liners and tubing are in good condition.

RECOMMENDED LIFE:

Donaghys ProLiners are recommended to be replaced after 3,000 milkings. Avoid accidental blows against hard objects such as wash tanks or concrete. Store unused Donaghys ProLiners away from sunlight and extreme heat.

PRODUCT CODE:

Code	Product	Unit	Qty per Unit	Barcode
ADRD022S	Square ProLiner — Dual 22	EACH	4 Liners	9400579555368