

DONAGHYS

PERFORMANCE FIRST

RAM HARNESS



- Durable Harness
- Reduces Chafing
- Rapid Crayon Change



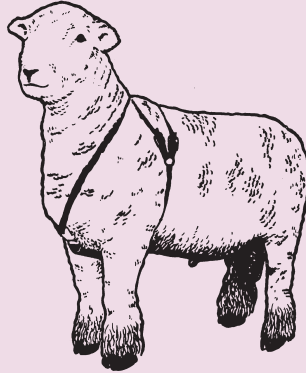
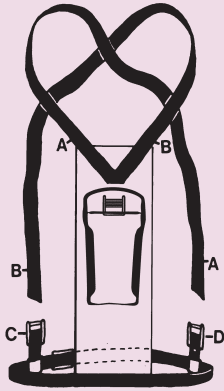
N.Z. Pat. App. No. 196278
Aust. Pat. App. No. 80507/82
U.K. Pat. No. 2097236

DONAGHYS INDUSTRIES LTD
Christchurch, New Zealand
NZ Freephone 0800 942 006
www.donaghys.com

PERFORMANCE FIRST

DONAGHYS

Donaghys DURABLE WEBBING HARNESS reduces chafing, withstands all weather conditions, remains pliable and allows for a rapid crayon change. The crayon holder features a unique dual locking mechanism that incorporates the convenience of a spring lock and gate system, providing superior crayon security and eliminating the frustration of crayons lost prematurely. Crayon change is simple and convenient.

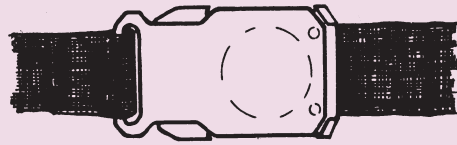
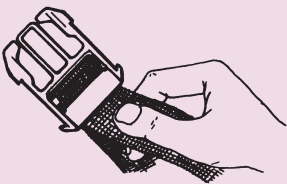


TO FIT RAM HARNESS

Place harness under ram's brisket, buckle up girth strap. Bring strap A over to buckle D and fasten. Fasten strap B to buckle C making sure straps cross on shoulders. N.B. Shoulder straps must be evenly tensioned to centre crayon holder on rams brisket.

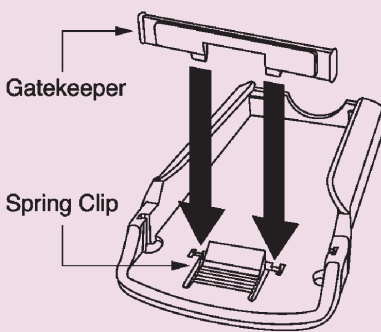
CAUTION: *It is recommended that harnesses be checked regularly particularly on rams with less than a months wool.*

RECOMMENDED METHODS OF FASTENING BUCKLES



1. ADJUST STRAP FOR LENGTH

2. LOCK BUCKLES TOGETHER



TO FIT CRAYON

Slide crayon into holder (narrow end first). The crayon will be held in place by the Spring Clip mechanism. Insert the Gate Keeper as shown. When combined with the Spring Clip, the Gate Keeper provides the ultimate security for the crayon. The harness is now ready for use.

TO REMOVE CRAYON

Remove the Gate Keeper by flicking it out with a screwdriver or pocket knife. Push down on the Spring Clip and slide out used crayon.